



C-104 20LB OUTDOOR CLASSIC SERIES CABINET

The WB Classic Series Cabinets are an economical and practical choice of cabinet. Their sturdy construction out of 18-gauge galvanized steel makes them ideal for installation in parking garages, warehouses, construction sites, high vandalism and theft areas. Cabinets always remain lock and allow emergency access through breaking the score acrylic.

C-104

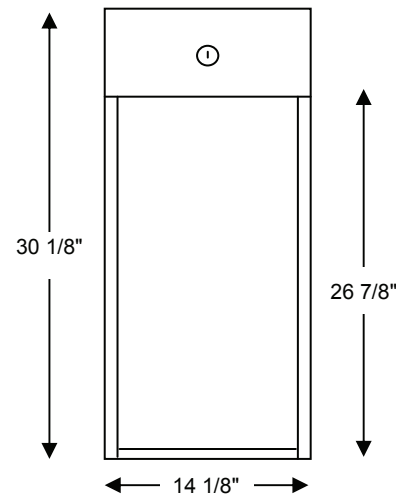


FEATURES

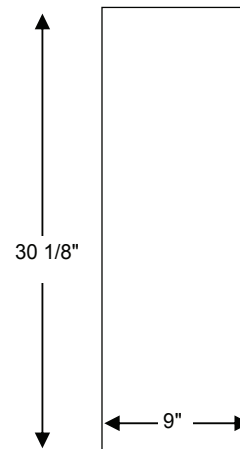
Door & Tub	18 ga Galvanneal Steel
Finish	Powder Coat White
Mount	Surface
Includes	<ul style="list-style-type: none"> • UV Resistant Emergency Decal • Keyed alike cylinder lock with (2) keys • Scored Acrylic (27 1/2"h x 13 7/8"w) • Breaker Bar and Chain
Packaging	Individually boxed
Options	<ul style="list-style-type: none"> • Powder coat red • 304 Stainless Steel with #4 Finish

Model No.	Description	Size (w x h x d)	Weight (lbs)
C-104	20 LB. Dry Chemical Fire Extinguisher Cabinet	14 1/8" x 30 1/8" x 9"	9

DIMENSIONS



Front



Side